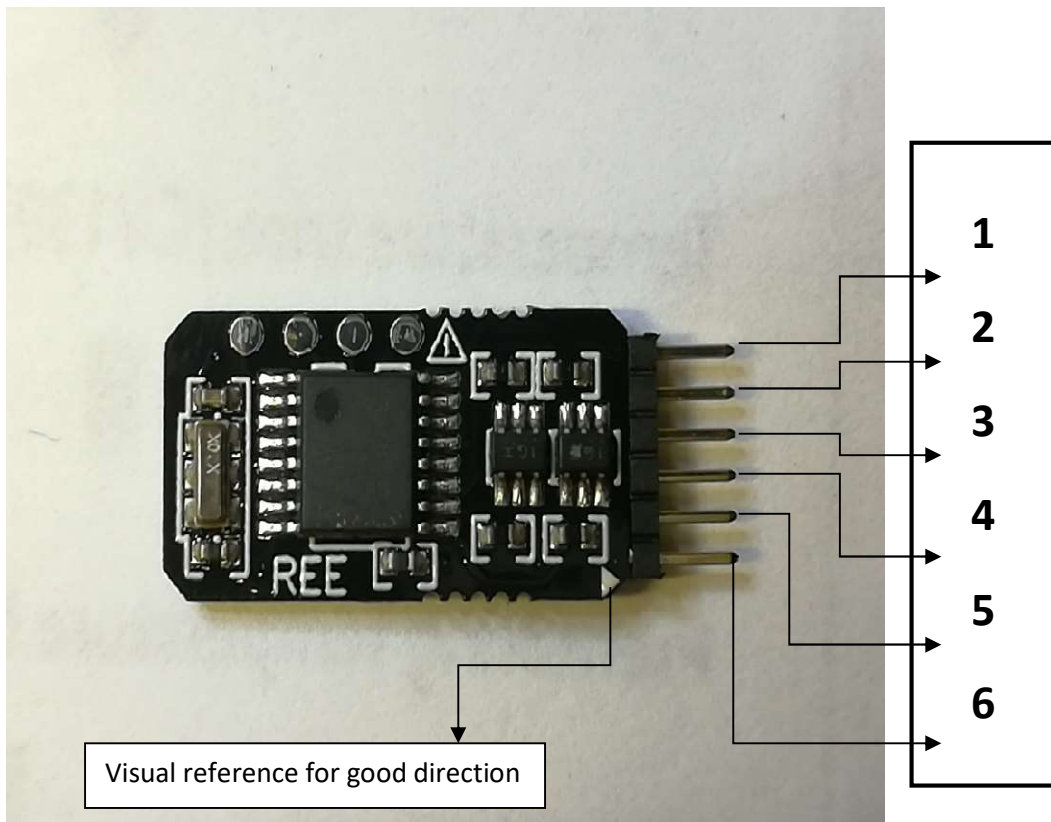


XB-414

REE's Functions Decoder

Wiring follows norm NEM 651



- 1 Rear lights**
- 2 Front lights**
- 3 Left pick-up**
- 4 Righth pick-up**
- 5 Aux 2**
- 6 Aux 1**

Decoder configuration variables

CV	Description	Possible values	Default															
1	Short adress	1-127	3															
7	Shoftware version	Read only	32															
8	Manufacturer ID	Read only	146															
12	Alternative source	Read only	1															
13	Activated functions in alternativ mode	1 - F1 2 - F2 4 - F3 8 - F4 16 - F5 32 - F6 64 - F7 128 - F8	3															
14	Activated functions in alternativ mode	1 - N/A 2 - N/A 4 - F9 8 - F10 16 - F11 32 - F12	3															
15	Decoder unlock	0-255	0															
16	Decoder lock	0-255	0															
17	Long Adress	192-231	-															
18	Long Adress	0-255	-															
29	Standard configuration	<table border="1" style="width: 100%; border-collapse: collapse;"> <thead> <tr> <th></th> <th>0 (OFF)</th> <th>1 (ON)</th> </tr> </thead> <tbody> <tr> <td>Bit 0 Direction</td> <td>Normal</td> <td>Inverted</td> </tr> <tr> <td>Bit 1 Speed</td> <td>14 Steps</td> <td>28/128 Steps</td> </tr> <tr> <td>Bit 2 Analog Mode</td> <td>OFF</td> <td>ON</td> </tr> <tr> <td>Bit 5 Adressing</td> <td>Short (CV1)</td> <td>Long (CV17 et CV 18)</td> </tr> </tbody> </table>		0 (OFF)	1 (ON)	Bit 0 Direction	Normal	Inverted	Bit 1 Speed	14 Steps	28/128 Steps	Bit 2 Analog Mode	OFF	ON	Bit 5 Adressing	Short (CV1)	Long (CV17 et CV 18)	6
	0 (OFF)	1 (ON)																
Bit 0 Direction	Normal	Inverted																
Bit 1 Speed	14 Steps	28/128 Steps																
Bit 2 Analog Mode	OFF	ON																
Bit 5 Adressing	Short (CV1)	Long (CV17 et CV 18)																
33	FL assignment	1 - Front lights 2 - Rear lignts 4 - Aux 1 8 - Aux 2	3															

34	N/A	See CV 33	3
35	F1 assignment	See CV 33	4
36	F2 assignment	See CV 33	8
37	F3 assignment	See CV 33	0
38	F4 assignment	See CV 33	0
39	F5 assignment	See CV 33	0
40	F6 assignment	See CV 33	0
41	F7 assignment	See CV 33	0
42	F8 assignment	See CV 33	0
43	F9 assignment	See CV 33	0
44	F10 assignment	See CV 33	0
45	F11 assignment	See CV 33	0
46	F12 assignment	See CV 33	0
47	F13 assignment	See CV 33	0
48	F14 assignment	See CV 33	0
49	F15 assignment	See CV 33	0
50	F16 assignment	See CV 33	0
51	F17 assignment	See CV 33	0
52	F18 assignment	See CV 33	0
53	F19 assignment	See CV 33	0
54	F20 assignment	See CV 33	0
55	F21 assignment	See CV 33	0
56	F22 assignment	See CV 33	0
57	F23 assignment	See CV 33	0
58	F24 assignment	See CV 33	0
59	F25 assignment	See CV 33	0
60	F26 assignment	See CV 33	0
61	F27 assignment	See CV 33	0
62	F28 assignment	See CV 33	0
112	Front lights options (1)	0-15 - Light intensity (mini/maxi) 16 - On in normal direction 32 - On in reverse direction 64 - Lights auto mode 128 - Neon effect	31
113	Rear lights options (1)	See CV 112	47
114	Aux 1 Option (1)	See CV 112	63
115	Aux 2 Option (1)	See CV 112	63
116	Front lights Options (2)	See CV 112	63
117	Rear lights Options (2)	See CV 112	63
118	Aux 1 Option (2)	See CV 112	63
119	Aux 2 Option (2)	See CV 112	15
120	Speed threshold for switching in automatic mode : igniton / extinguishing	From 0 à 125 depending on steps numbers	0

(1) NORMAL Mode :

(2) REE Mode :

Decoder factory configuration :

This decoder is delivered in factory configuration, so that it can be installed in different non motorised models of the market.

CV112 à CV115

Function F0 : Directional front an rear lights

Function F1 : Aux 1

Function F2 : Aux 2

REE Configuration :

To use with REE's models (RGP and EAD), write 9 in CV 8

CV116 à CV119

Function F2 : Directional front an rear lights